

# STRAIGHT DUCT

## SPECIFICATION

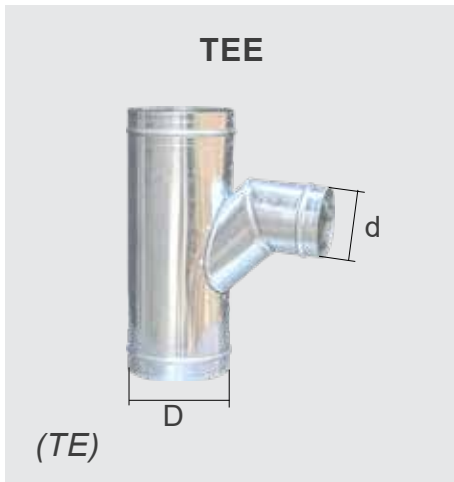
Fabrication standard: SMACNA | DW 144| ASHRAE.

Material: G.I | Aluminium | Black Steel.

Joint: Drive Slip | TDF Flange | Pittsburgh Lock Seam| Welded.

Assembly: Pre-Assembly or Full Assembly.

Application: HVAC | Ventilation Kitchen Hood.



## ORDER SIZE

- TE: D x d

## EXAMPLE ORDER SIZE

- TE: D150 x d100

### HANGER DIMENSION & RECOMMEND SHEET STEEL THICKNESS

Dimension of duct Width size	G.I Metal thickness (mm)	Steel rod (mm)	Steel Hanger (mm)	Spacingduct (mm)
Up to 600	0.6	8	V-30x30x3	1800
600 to 800	0.8	10	V-40x40x4	1800
850 to 1000	0.8	12	V-50x50x5	1500
1050 to 1800	1	14	U-100x50x5	1500
1850 to 2400	1.2	16	U-100x50x5	1500
2400 to 3000	1.2	18	U-100x50x5	1500

If no standard required, Fast will fabricate air duct follow SMACNA standard. HVAC duct construction standard metal and flexible, Second Edition - 1995

